

PLEASE CHECK WWW.MOLEX.COM FOR LATEST PART INFORMATION

Part Number: [0353030450](#)
Status: **Active**
Description: 2.00mm (.079") Pitch Wire-to-Board Header, Vertical, Blade Pin, Shrouded, 4 Circuits

Documents:

[3D Model](#) [Product Specification PS-35303-001 \(PDF\)](#)
[Drawing \(PDF\)](#) [RoHS Certificate of Compliance \(PDF\)](#)

Agency Certification

CSA LR 19980
 UL E29179

General

Product Family PCB Headers
 Series [35303](#)
 Application Wire-to-Board
 Product Name N/A

Physical

Breakaway No
 Circuits (Loaded) 4
 Circuits (maximum) 4
 Color - Resin Natural
 Durability (mating cycles max) 30
 First Mate / Last Break No
 Flammability 94V-0
 Glow-Wire Compliant No
 Guide to Mating Part No
 Keying to Mating Part None
 Lock to Mating Part Yes
 Material - Metal Phosphor Bronze
 Material - Plating Mating Tin
 Material - Plating Termination Tin
 Material - Resin Nylon
 Number of Rows 1
 Orientation Vertical
 PC Tail Length (in) 0.138 In
 PC Tail Length (mm) 3.50 mm
 PCB Locator No
 PCB Retention Yes
 PCB Thickness Recommended (in) 0.062 In
 PCB Thickness Recommended (mm) 1.60 mm
 Packaging Type Tube
 Pitch - Mating Interface (in) 0.079 In
 Pitch - Mating Interface (mm) 2.00 mm
 Plating min: Mating (µin) 32
 Plating min: Mating (µm) 0.80
 Plating min: Termination (µin) 32
 Plating min: Termination (µm) 0.80
 Polarized to PCB No
 Shrouded Partial
 Stackable No
 Surface Mount Compatible (SMC) No
 Temperature Range - Operating -20°C to +85°C
 Termination Interface: Style Through Hole

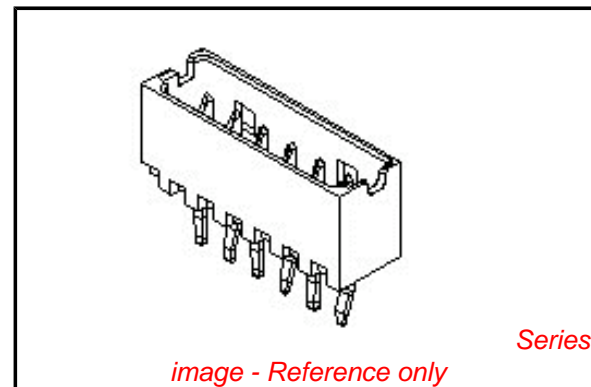


image - Reference only

EU RoHS

ELV and RoHS Compliant
REACH SVHC
 Not Reviewed
Halogen-Free Status

China RoHS



Need more information on product environmental compliance?

Email productcompliance@molex.com
 For a multiple part number RoHS Certificate of Compliance, [click here](#)

Please visit the [Contact Us](#) section for any non-product compliance questions.

Search Parts in this Series

[35303Series](#)

Mates With

[51004 Wire-to-Board Housing](#)

Electrical

Current - Maximum per Contact

2A

Voltage - Maximum

125V

Material Info**Reference - Drawing Numbers**

Product Specification

PS-35303-001

Sales Drawing

SD-35303-001, SD-35303-010

This document was generated on 04/15/2010

PLEASE CHECK WWW.MOLEX.COM FOR LATEST PART INFORMATION

DWG. NO.
SD-35303-001

SIMILAR ITEM

PROJECT NO.

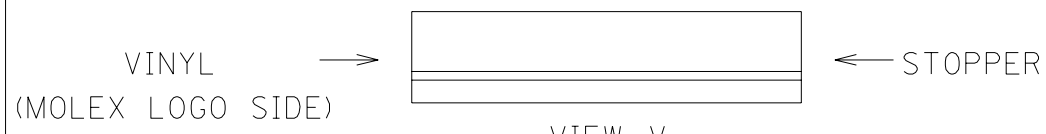
5

4

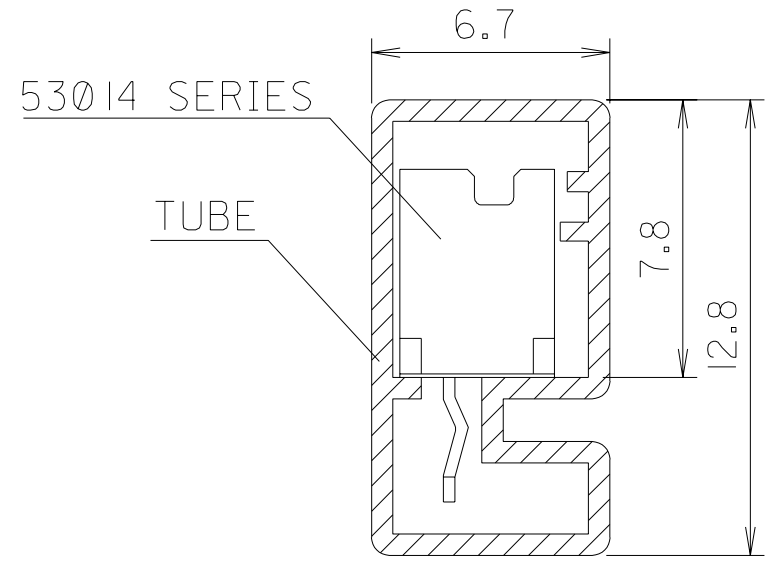
3

2

1



NOTES
 1. TUBE : STOPPER & VINYL LOCKING TYPE
 2. THICKNESS : 0.6+
 3. LENGTH : 550mm



LEGEND 35303-*** 5 *

COLOR : 0 --- NATURAL
 1 --- BLACK
 2 --- RED
 3 --- YELLOW
 4 --- BLUE

CKT (02, 03, 04, ...)

15	35303155*	35303-155*	8	35303085*	35303-085*	53014 SERIES	
14	35303145*	-145*	7	35303075*	-075*		
13	35303135*	-135*	6	35303065*	-065*		
12	35303125*	-125*	5	35303055*	-055*		
11	35303115*	-115*	4	35303045*	-045*		
10	35303105*	-105*	3	35303035*	-035*		
9	35303095*	35303-095*	2	35303025*	35303-025*		
CKTS	MAT'L NO.	ENG NO.	CKTS	MAT'L NO.	ENG NO.		USED ON

NEW RELEASED
 EC NO. KOR2004-0124
 DRWN: K.S.KIM (040324)
 CH'K: J.K.OH
 APPR: C.W.LEE

QUALITY SYMBOLS
 MAJOR
 CRITICAL

GENERAL TOLERANCES:
(UNLESS SPECIFIED)

	mm	INCH
4 PLACES	±0.	±.
3 PLACES	±0.	±.
2 PLACES	±0.	±.
1 PLACE	±0.	±.

ANGULAR: ± °

DRAFT WHERE APPLICABLE MUST REMAIN WITHIN DIMENSIONS

SCALE NONE

DESIGN UNITS
 mm INCH

THIRD ANGLE PROJECTION

DRAWN BY & DATE
 H.S.SHIN (910220)

CHECKED BY & DATE
 J.K.OH

APPROVED BY & DATE
 C.W.LEE

CAD FILENAME
 SD-35303-001

DIMENSIONS:
 mm INCH mm ONLY

SHT REV
 REVISE ON CAD ONLY

TITLE:
 TUBE PACKAGED FOR 53014 SERIES

MOLEX INCORPORATED KOREA

MATERIAL NO. SEE TABLE
 DRAWING NO. SD-35303-001
 SHEET NO. 1 OF 1

THIS DRAWING CONTAINS INFORMATION THAT IS PROPRIETARY TO MOLEX INCORPORATED AND SHOULD NOT BE USED WITHOUT WRITTEN PERMISSION.

SIZE A

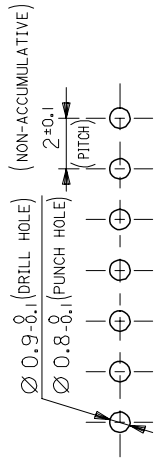
5

4

3

2

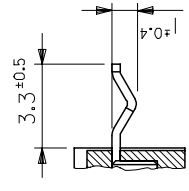
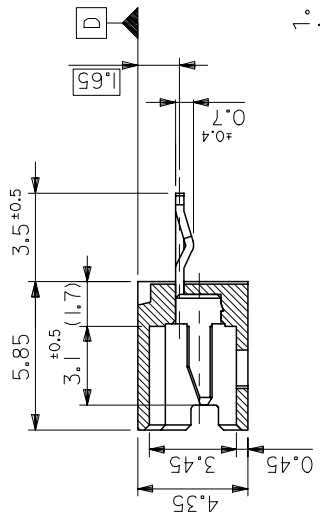
MX-A4



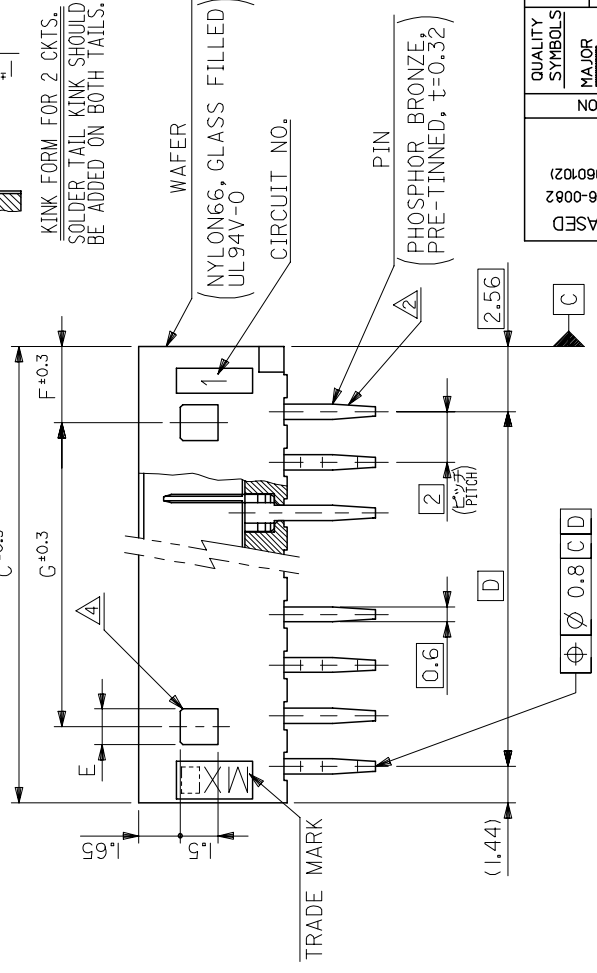
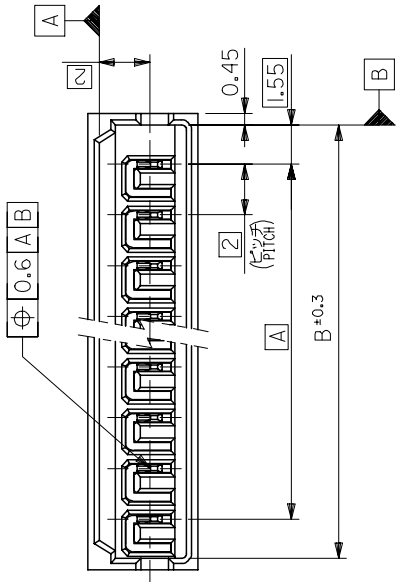
RECOMMENDED P.C. BOARD
HOLE DIMENSION(REFERENCE) t=1.6

NOTES

- MATES WITH : 51004-***00
- KINK TO BE ADDED ON THE ODD NUMBER SOLDER TAILS.(FROM THE TRADE MARK SIDE.)
- * MARK INDICATES DYED COLOR :
"0" NATURAL, "1" BLACK, "2" RED, "3" YELLOW, "4" BLUE
- LOCKING HOLE : 1 PLACE FOR 2, 3 CKTS. AND MORE THAN 4 CKTS.



KINK FORM FOR 2 CKTS.
SOLDER TAIL KINK SHOULD BE ADDED ON BOTH TAILS.



26	3	1.4	28	31.1	28	53014-15*	35303-155*	15
24	3	1.4	26	29.1	26	-14*	35303-145*	14
22	3	1.4	24	27.1	24	-13*	35303-135*	13
20	3	1.4	22	25.1	22	-12*	35303-125*	12
18	3	1.4	20	23.1	20	-11*	35303-115*	11
16	3	1.4	18	21.1	18	-10*	35303-105*	10
14	3	1.4	16	19.1	16	-09*	35303-095*	9
12	3	1.4	14	17.1	14	-08*	35303-085*	8
10	3	1.4	12	15.1	12	-07*	35303-075*	7
8	3	1.4	10	13.1	10	-06*	35303-065*	6
6	3	1.4	8	11.1	8	-05*	35303-055*	5
4	3	1.4	6	9.1	6	-04*	35303-045*	4
---	4	3.4	4	7.1	4	-03*	35303-035*	3
---	3	1.4	2	5.1	2	53014-02*	35303-025*	2
G	F	E	D	C	B	A	ENG. NO. Δ	NO. OF CKTS.

GENERAL TOLERANCES: (UNLESS SPECIFIED)		SCALE	DESIGN UNITS	THIRD ANGLE PROJECTION	DIMENSIONS:	SHT	REV
MITT	INCH	5:1	MITT/INCH	\square	MITT	MITT	MITT
4 PLACES $\pm 0.$	$\pm -$	DRAWN BY & DATE		TITLE:		REVISE ON CAD ONLY	
3 PLACES $\pm 0.$	$\pm -$	K-SKIM (060102)		2.0 LOW PROFILE WAFER ASSY			
2 PLACES $\pm 0.$	$\pm -$	CHECKED BY & DATE		MATERIAL NO. Δ		SHEET NO. 1 OF 1	
1 PLACE $\pm 0.$	$\pm -$	Y-500/KIM		MOLEX INCORPORATED		SIZE B	
ANGULAR: \pm		APPROVED BY & DATE		DRAWING NO. SD-35303-010		KOREA	
CAD FILENAME		SH-CHOI		KOREA		MX-A3	

QUALITY SYMBOLS	DESCRIPTION	APP.:	CHK.:	DRWN.:	ECN NO.:	NEW RELEASED
MAJOR \blacktriangle		SH-CHOI	Y-500/KIM	K-SKIM	KOR2006-0082	
CRITICAL \triangle						

ANGLE	GENERAL TOLERANCES
30 OVER	± 0.3
10 OVER 30 UNDER	± 0.25
10 UNDER	± 0.2

DO NOT SCALE DRAWING
DIMENSION IN METRIC

DWG. NO. PROJECT NO. SIMILAR ITEM